

ASAn

INDOOR EPOXY RESIN CURRENT TRANSFORMERS

HIGHEST VOLTAGE FOR EQUIPMENT
UP TO 36 KV

Application

ASAn type current instrument transformers are single-phase and single pole insulated transformers. They are used to step-down current to defined values, and thus provide standardized, useable levels of current in a variety of power monitoring, measurement and protection applications while insulating the measurement and protection equipment from high system voltage.

Transformers of this type are provided for indoor installation in various positions.

Description of Main Parts

ASAn type transformers are designed for facilities with rated primary currents from 600 A to 5000 A. The transformers are produced without primary reconnection. When necessary, transformation ratios can be selected by using secondary winding taps.

Cores are made either of cold-rolled grain-oriented magnetic steel sheets or a high quality soft magnetic material, depending on the required accuracy class and rated primary current.

The main insulation is a mixture of quartz flour and two-component resin. After cross-linking at high temperatures, the mixture takes on excellent insulating characteristics and required mechanical features. Mixture preparation and casting of the active part is performed using gravity and under vacuum.

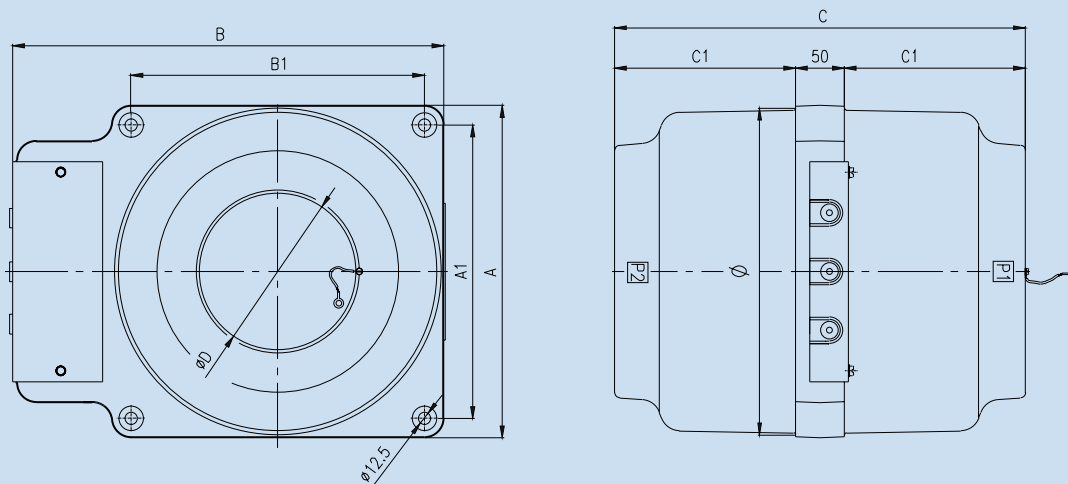
Secondary terminals are placed in a sealed box with U16 cable glands. They are M6 in size and are of stainless steel threaded bolt type. The protection level is IP40. The earthing terminal is marked with \perp and must be earthed.

The transformers can contain up to four protective or measurement cores. Primary winding is a busbar which passes through the transformer's hole. Secondary windings are made of high quality enamelled copper wire.



KONČAR

Končar - Instrument Transformers Inc.



Size	Um (kV)	A1 - B1 (mm)	A (mm)	B (mm)	C (mm)	C1 (mm)	Ø D (mm)	Ø (mm)	Weight (kg)
1	12	268	308	405	310	130	130	288	40
2	24	300	340	441	420	185	130	334	60
3	24	300	340	441	420	185	160	334	55
4	36	300	340	441	620	285	130	334	85
5	36	300	340	441	620	285	160	334	80

Technical Data

TRANSFORMER TYPE	ASAn - 12	ASAn - 24	ASAn - 38
Highest voltage for equipment (kV)	12	24	36
Rated primary current (A)	from 600 A to 5000 A		
Rated secondary current (A)	1, 2 or 5		
Rated burden of measuring core (VA)	1.25; 2.5; 3.75; 5; 7.5; 10; 12.5; 15; 20; 25; 30; 40; 45; 50; 60		
Accuracy class of measuring core	0.1; 0.2; 0.2S; 0.5; 0.5S or 1		
Instrument security factor	5 or 10		
Rated burden of protection core (VA)	1.25; 2.5; 3.75; 5; 7.5; 10; 12.5; 15; 20; 25; 30; 40; 45; 50; 60		
Accuracy class of protection core	5P or 10P		
Accuracy limit factor	5; 10; 15; 20		
Rated short circuit current (Ith)	up to 100 kA / 1s		
Power frequency withstand voltage (kV)	28	50	70
Lightning impulse withstand voltage (kV)	75	125	170
Test voltage of secondary windings (kV)	3		
Number of secondary cores	up to 4		

NOTE: given indicative values refer to our standard versions and vary depending on electrical, mechanical and environmental parameters specified in the customers' inquiry. These values are susceptible to change in the course of technical developments.

KONČAR

KONČAR - Instrument transformers Inc.
P.O. Box 202
HR-10002 Zagreb, Croatia
phone: +385 1 379 4112
fax: +385 1 379 4040
e mail: info@koncar-mjt.hr
www.koncar-mjt.hr

Quality Assurance

Končar current transformers are designed in compliance with IEC, ANSI/IEEE, GOST, AS, IS, CAN/CSA, or any other relevant standard.

Product quality is assured through a certified quality standard, the ISO 9001. Končar - Instrument transformers Inc. is ISO 14001 and OHSAS 18001 certified, ensuring environmental and occupational health standards are met.